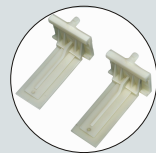
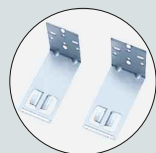




- 隐藏式、全拉出、静音式、美式
- 载重: 35kg
- 材料: 镀锌板
- 材料厚度(上、中、下)轨: 1.0x1.5x1.8mm
- 无需工具, 抽屉可快速安装与拆卸
- 抽屉高度可调节0-4mm
- Soft close concealed full extension slide
- Dynamic load capacity: 35kg
- Material: galvanized steel
- Material thickness: 1.0x1.5x1.8mm
- Tool-free quick installation
- Drawer height adjustable for 0-4mm

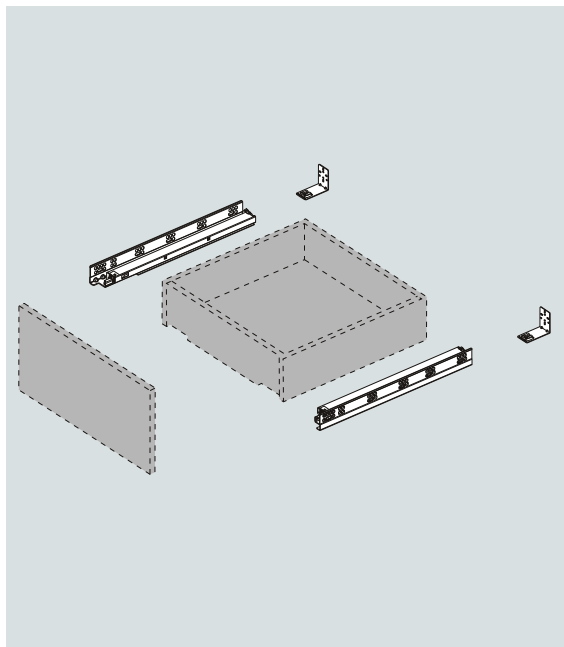
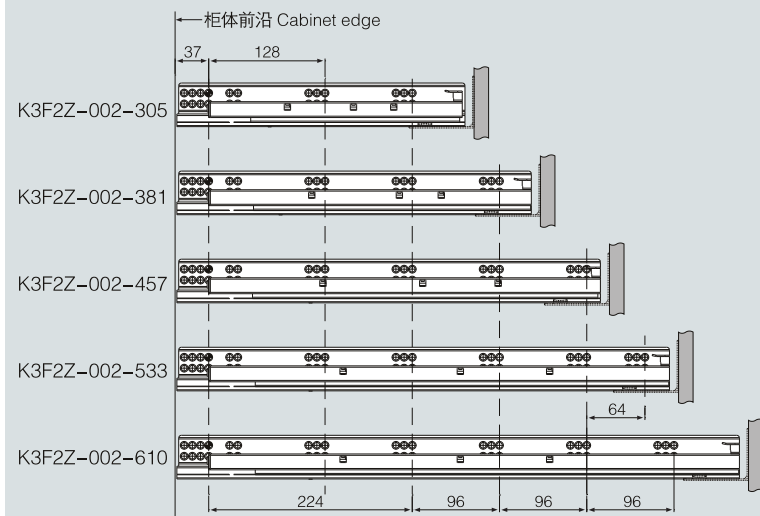


塑料后连接件
Plastic Rear Mounting Bracket

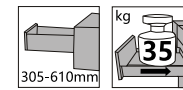


钢后连接件
Steel Rear Mounting Bracket

柜体滑轨安装孔尺寸 Hole pattern

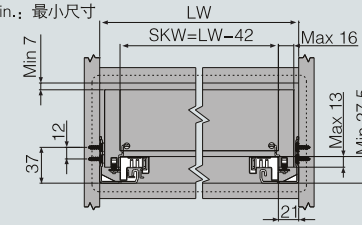


产品型号 Item No.	标称长度NL (mm) Nominal length	拉出长度 (mm) Travel length	最小柜深LT (mm) Min cabinet depth	最大柜深LT (mm) Max cabinet depth	包装 (套/箱) Packing (Set/Box)
K3F2Z-002-305	305	292	324	360	10
K3F2Z-002-381	381	368	400	436	10
K3F2Z-002-457	457	444	476	512	10
K3F2Z-002-533	533	520	552	588	10
K3F2Z-002-610	610	597	629	665	10

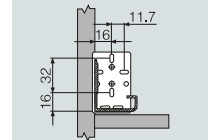


柜体所需空间 Space required

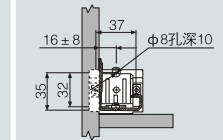
SKW: 抽屉净宽 Drawer width
 LW: 柜体净宽 Inside net width
 Max.: 最大尺寸
 Min.: 最小尺寸



钢后连接件
Steel rear mounting bracket

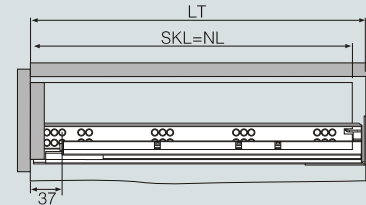


塑料后连接件
Plastic rear mounting bracket



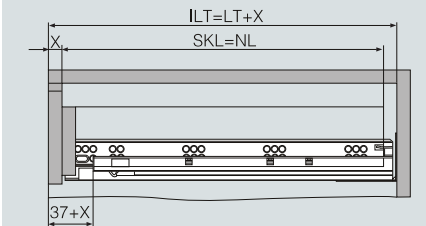
外置抽屉 Standard drawer

NL: 标称长度 Nominal length
 SKL: 抽屉长度 Length of drawer
 LT: 最小柜深 Min cabinet depth



内置抽屉 Inner drawer

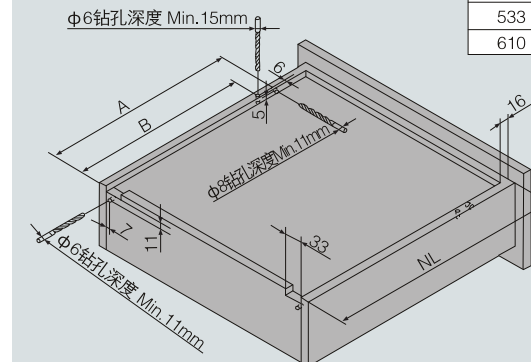
NL: 标称长度 Nominal length
 SKL: 抽屉长度 Length of drawer
 ILT: 内抽最小柜深 Min cabinet depth
 X: 面板厚度 Thickness of the front panel



抽屉后板开槽打孔尺寸 Hole size on rear panel of the drawer

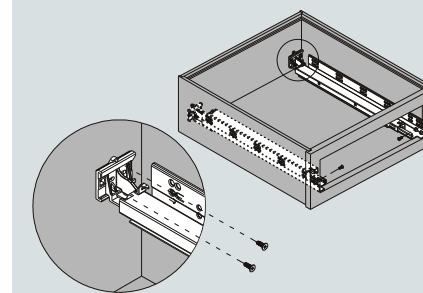
NL: 标称长度 Nominal length
 SKL: 抽屉长度 Length of drawer
 Min.: 最小尺寸

抽屉长度 SKL (mm)	A	B
305	248	237
381	302	291
457	375	345
533	451	383
610	537	460



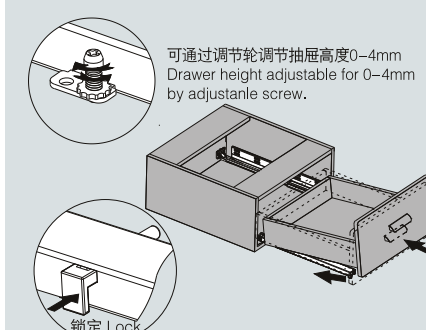
装卸调试步骤说明 Installation instruction

滑轨安装 Installation of the slides



- 尾板根据柜体深来调节距离;
Adjust the rear mounting bracket according to the cabinet depth;
- 先调节好尾板后再用M4x12mm螺丝锁定
Adjust the rear mounting bracket then fasten it with M4x12mm screws.

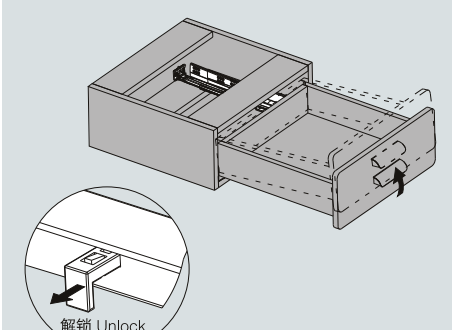
抽屉安装与调节
Installation of the drawer and adjustment



可通过调节轮调节抽屉高度0-4mm
Drawer height adjustable for 0-4mm by adjustable screw.

将滑轨全拉出, 插销解锁后(或留意下插销是否处于解锁状态), 把抽屉与滑轨上的定位块对准放下, 然后将插销锁定, 再将抽屉水平推入柜体, 抽屉即可关闭
Fully extending the slides, make sure the lock in the unlocked station, lay the drawer onto the slides, then lock by the lock pin then close the drawer.

抽屉拆卸 Removal of the drawer



将抽屉全拉出, 侧插销解锁后, 抽屉按箭头方向向上提, 即可拆卸。
Fully pull out the drawer, unlock by the lock pin, lift drawer according to the direction of the arrow, the drawer can be demounted easily.